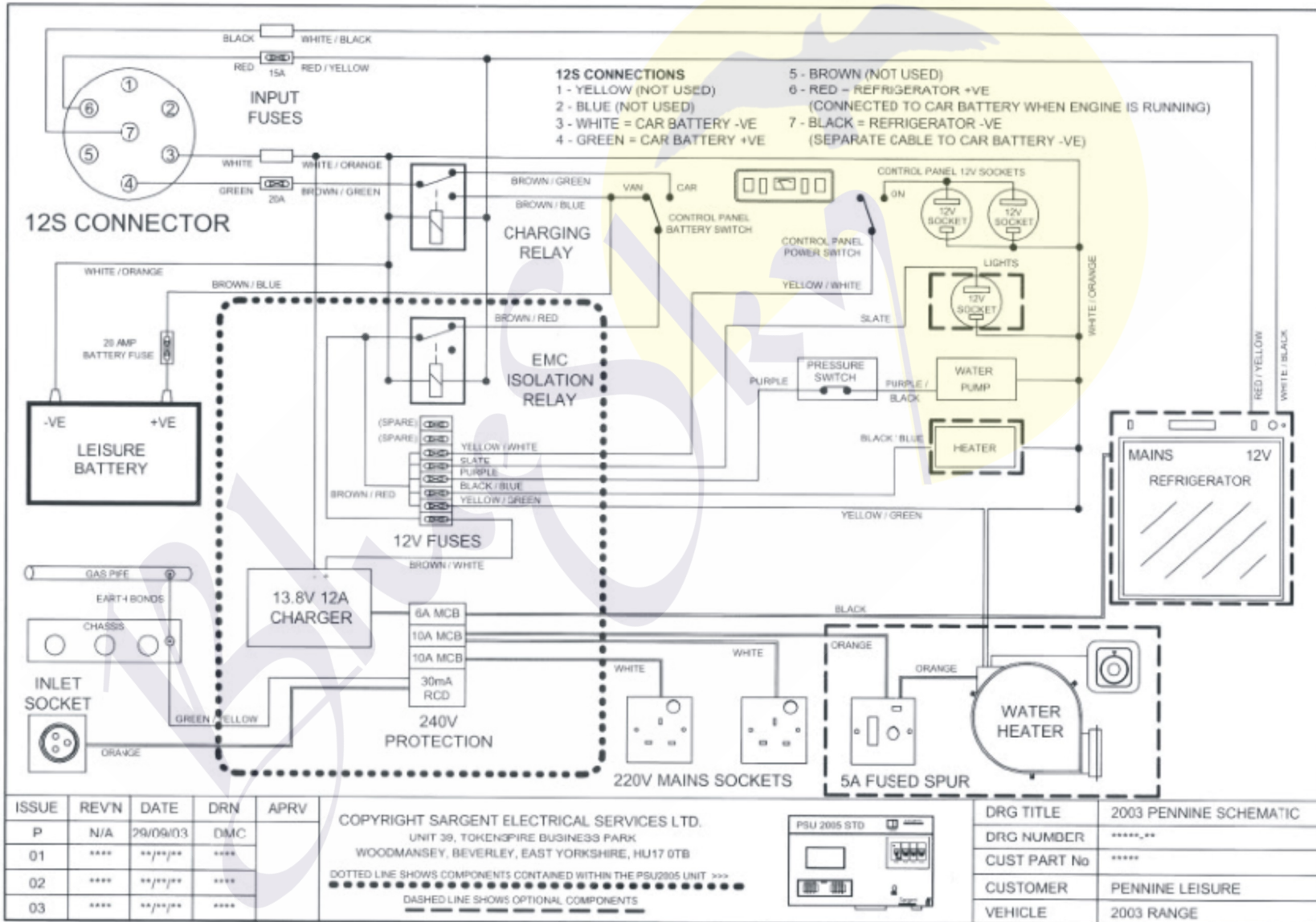
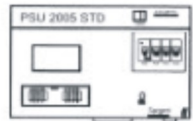


8.4 Typical Application Schematic Wiring Diagram



ISSUE	REV'N	DATE	DRN	APRV
P	N/A	29/09/03	DMC	
01	****	**/****	****	
02	****	**/****	****	
03	****	**/****	****	

COPYRIGHT SARGENT ELECTRICAL SERVICES LTD.
 UNIT 39, TOKENSPIRE BUSINESS PARK
 WOODMANSEY, BEVERLEY, EAST YORKSHIRE, HU17 0TB
 DOTTED LINE SHOWS COMPONENTS CONTAINED WITHIN THE PSU2005 UNIT >>>
 DASHED LINE SHOWS OPTIONAL COMPONENTS



DRG TITLE	2003 PENNINE SCHEMATIC
DRG NUMBER	*****
CUST PART No	*****
CUSTOMER	PENNINE LEISURE
VEHICLE	2003 RANGE